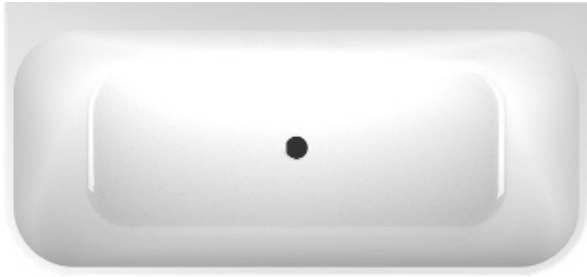


FOTIA 130 OPTIONAL OVERFLOW

BACK-TO-WALL FREESTANDING BATH | ACRYLIC



Back-to-wall freestanding bath — 1500 and 1700 sizes

Get the look of a freestanding bath with the practicality of a built-in bath. Sleek and practical, this minimalist design combines the beauty of a freestanding bath with the practicality of a bath that sits flush against the wall. Perfect for compact bathrooms.

- Sits flush against the wall
- Optional overflow
- Seamless design
- White sanitary grade acrylic, high gloss finish
- Excellent heat retention properties
- Adjustable support feet

Order codes

	1500 LONG, NO OVERFLOW
192116	Fotia 130, 1500 long, no overflow
	1500 LONG, WITH OVERFLOW
192157	Fotia 130, 1500 long, with overflow kit (includes chrome/white plug+waste, chrome dome overflow)
	1700 LONG, NO OVERFLOW
192117	Fotia 130, 1700 long, no overflow
	1700 LONG, WITH OVERFLOW
192158	Fotia 130, 1700 long, with overflow kit (includes chrome/white plug+waste, chrome dome overflow)

Product details

WASTE Suits 40 mm waste

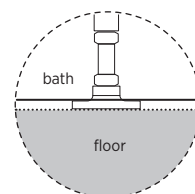
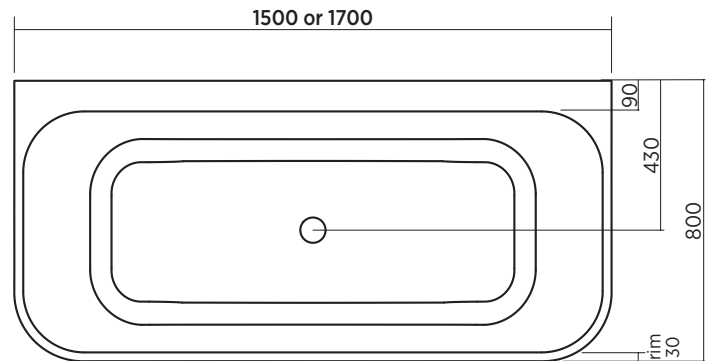
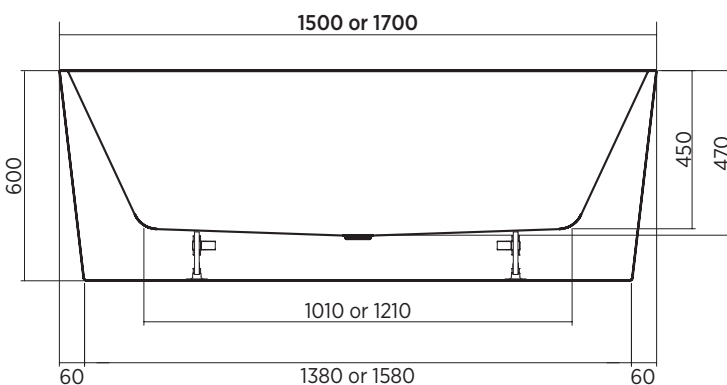
OVERFLOW Optional overflow

INSTALLATION The bath can be installed using a flexible connector pipe (not supplied).

The bath is supplied with four adjustable support feet on the base frame of the bath. Position the bath and use the adjustable feet to level the bath. Leave a 3mm void between the base of the bath and the floor. Use silicone around the base to seal the bath to the floor. Allow a 20mm gap in the silicone seal as a weephole (gap is designed to reveal any plumbing leakage).

Use acetic cured silicone sealant. Do not use epoxy type adhesives.

Always use the actual product to verify placement.



Leave a 3mm gap between base of bath and floor. Use silicone to seal base of bath to floor, leaving a 20mm weephole.

SEIMA

bathroom | kitchen | laundry

seima.com.au

Please note

- All measurements are in millimetres.
- Dimensions are nominal and subject to normal ceramic manufacturing variations of ±5mm.
- Fixing: Use silicone sealant. DO NOT USE EPOXY TYPE ADHESIVES.
- Specifications may vary without notice as part of our continuous improvement practices.
- Clean with a damp cloth. Do not use abrasive cleaners, liquids or pastes.

FOTIA 130 — OVERFLOW OPTION INCLUDES

- dome design overflow, chrome
- plug+waste, chrome with white rubber plug
- overflow kit includes Seima FlexiWaste™ (similar to Flexidinger™)



All trademarks are the property of their respective owners.